

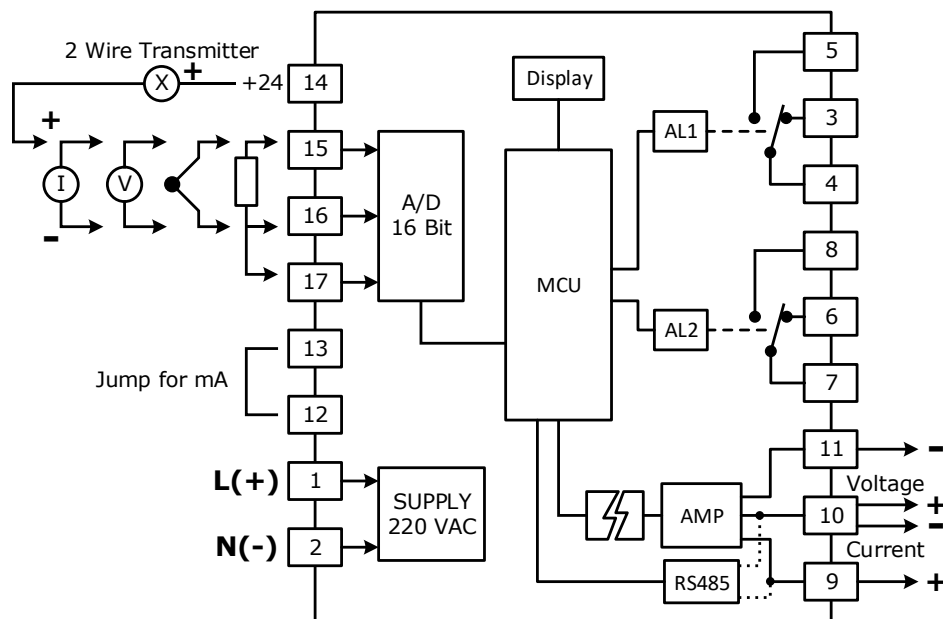
# Universal Input Indicator

## DP70



- 5 Digits Display
- Programmable Input type
- 2 Alarm Relay
- 1 Analog output or RS485 (Option)

**Universal Input Indicator DP70** is programmable panel display with 5 digits. it has 2 independent alarm relay also has option of analog output.



## Specifications

### Serial Interface (Optional)

**Serial Standards:** RS485 (Isolated)  
2 Pin Terminal Block

**Loading:** RS485 Max 32 Unit

**Distance:** RS485 Length 1 Km.

**Protocol:** MODBUS ASCII/RTU

**Supply Software:** Citect, Wonderware, LAB View etc.

### Monitor

**Display:** 5 digits, 14.2 mm. (7-Segment)

**Display Color:** Red (std)

### Analog Input

**Number of channel:** 1 Channel

**Input type:** Programmable

**Input range:**

Thermocouple (R, S, K, E, J, T, B)

RTD (Cu10, PT100, PT1000)

Resistance (0 to 600  $\Omega$ , 0 to 1200  $\Omega$ ,  
0 to 4000  $\Omega$ )

Voltage mVDC (0 to 80, 0 to 150 mVDC)

Voltage (0 to 1, 0 to 5, 0 to 10, 0 to 30 VDC)

Current (4 to 20, 0 to 20, 0 to 40 mA)

**ADC Resolution:** 16 bits

**Accuracy:**  $\pm 1$  least significant digit

### Analog Output (Optional)

**Number of channel:** 1 Channel

**Output type:** Current, Voltage

**Output range:**

Current (0 to 20, 4 to 20 mA)

Voltage (0 to 1, 0 to 5, 0 to 10 VDC)

**Output Impedance:**

Current Max Load 800  $\Omega$

Voltage Min Load 1000  $\Omega$

### Relay Output

**Number of Channel:** 2 Channels (Alarm)

**Relay Type:** N.O. or N.C.

**Contact Rating:** 6A@250VAC, 6A@30VDC

### Power Requirements

**Power Supply:** 85 to 230 VAC

(12 to 35 VDC Optional)

### Environmental Limits

**Operating Temperature:** 0 to 55  $^{\circ}\text{C}$

**Operating Humidity:** 5 to 95% RH

**Storage Temperature:** 0 to 70  $^{\circ}\text{C}$

### Physical Characteristics

**Dimension:** W96 x H48 x D120 mm.

**Panel Cutout:** W90 x H40 mm.

**Mounting:** Panel Flush Mounting

**Wiring:** Screw terminals

### Warranty

**Warranty Period:** 5 Year

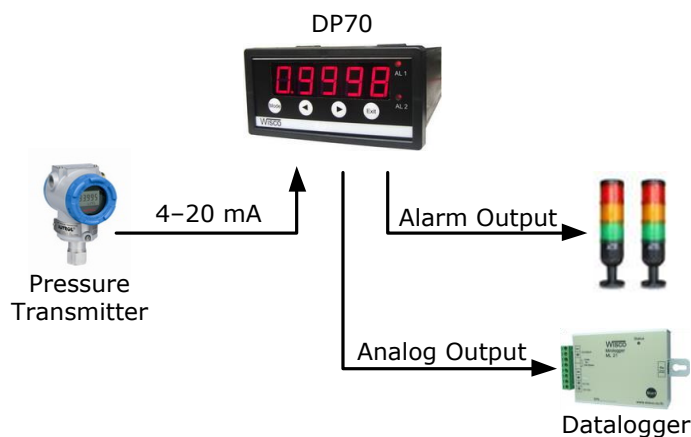
**Ordering Information:** Specify Power Supply, Output

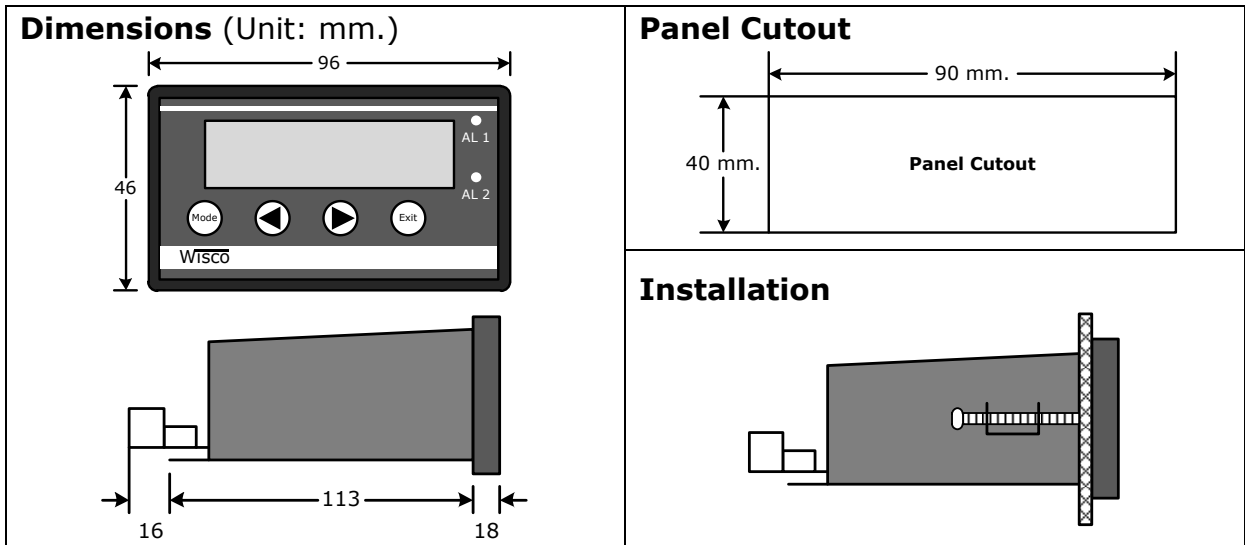
Example DP70/220VAC/4-20mA

### Package Checklist

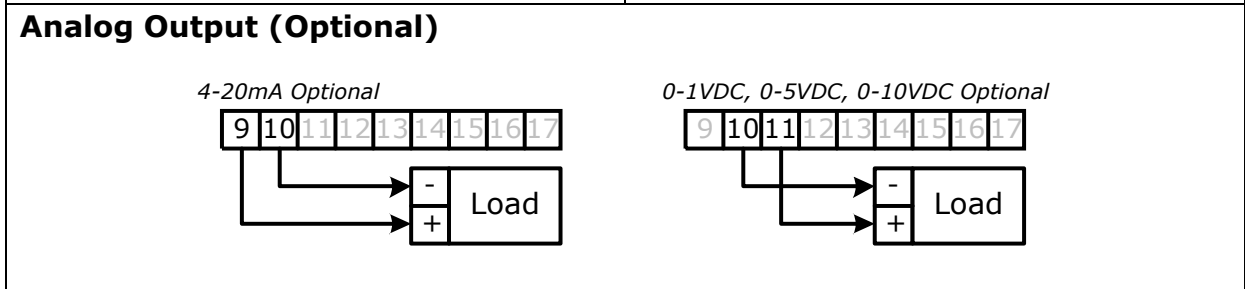
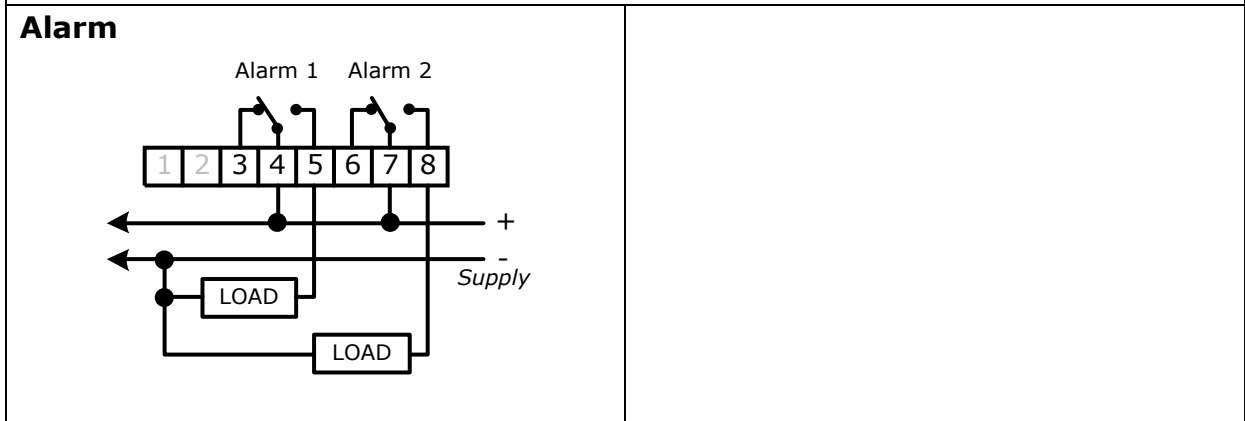
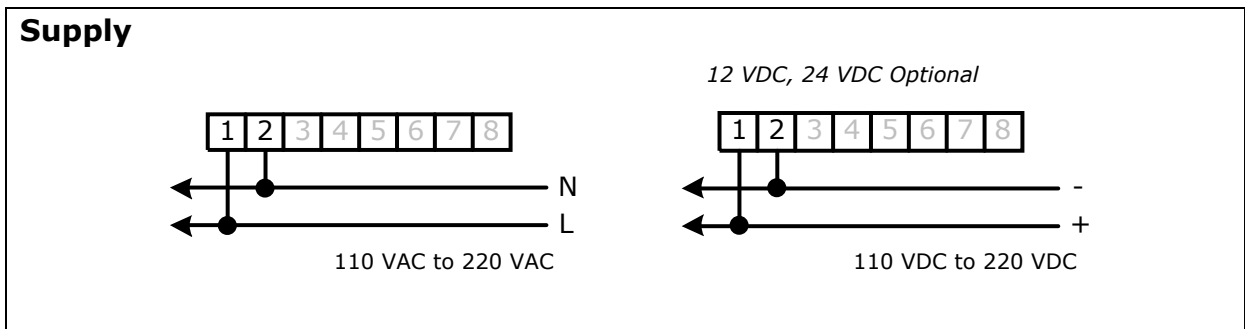
1. DP70

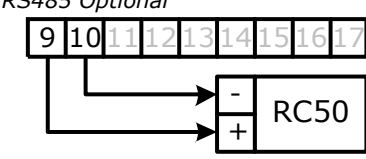
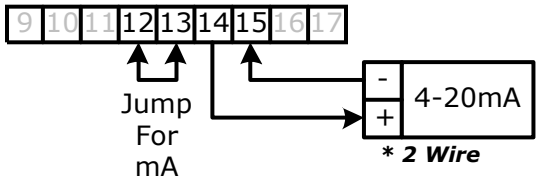
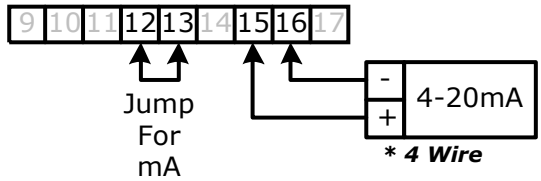
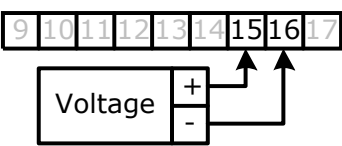
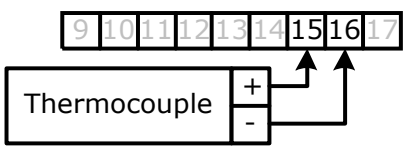
### Example





**Wiring**



<p><b>Output RS485 (Optional)</b></p> <p>RS485 Optional</p> 	<p><b>Analog Output &amp; Output RS485 Connection Example</b></p> <ul style="list-style-type: none"> <li>❖ Data Logger</li> <li>❖ Recorder</li> <li>❖ PLC Etc.</li> </ul>
<p><b>Current Input</b></p> <div style="display: flex; justify-content: space-around;"> <div data-bbox="199 616 742 795">  </div> <div data-bbox="805 616 1348 795">  </div> </div>	
<p><b>Voltage Input</b></p> 	<p><b>Thermocouple Input</b></p> 
<p><b>RTD Input</b></p> 